

CHANGING TABLE INSTRUCTIONS

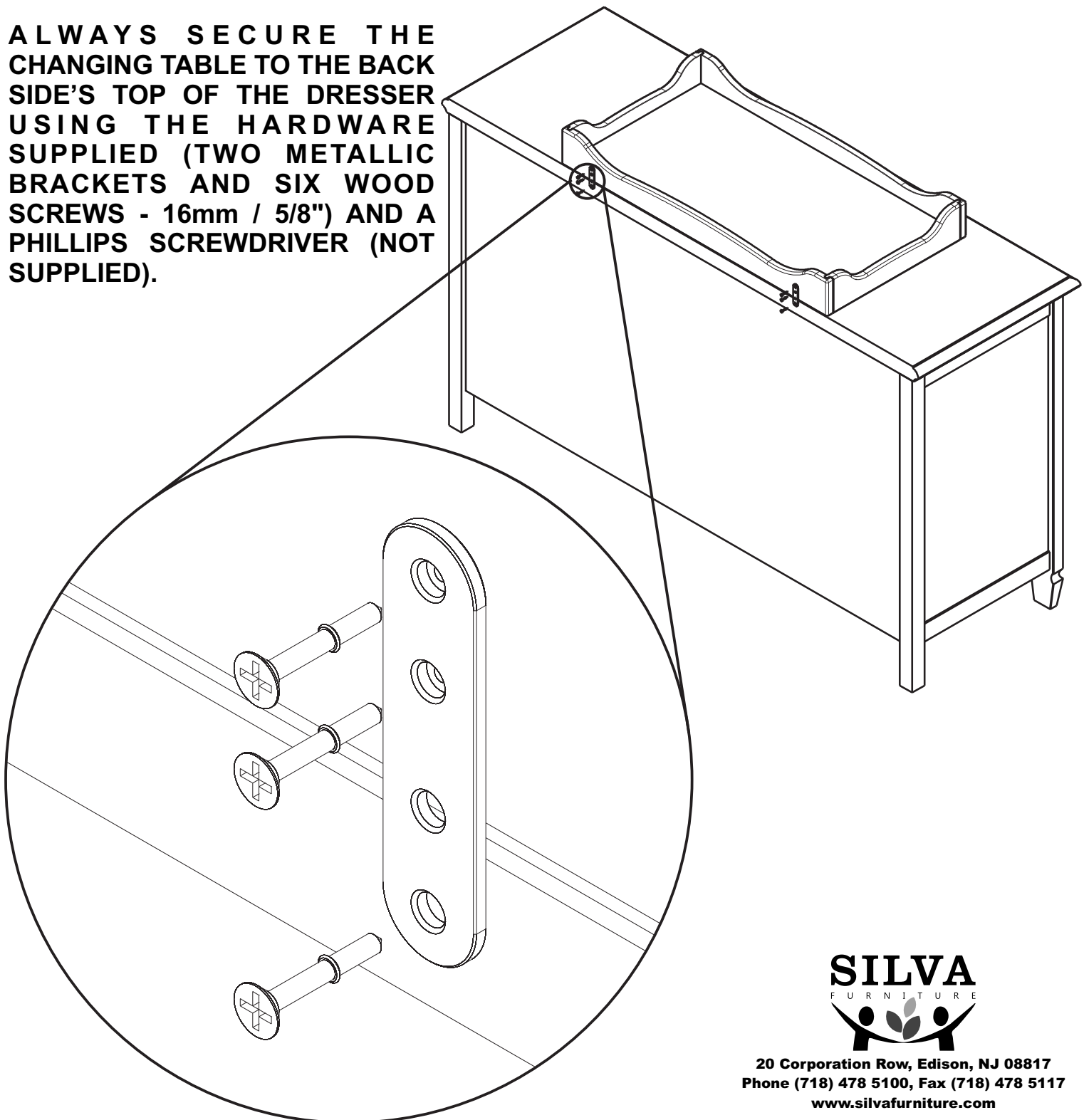
WARNING - FALL HAZARD

**TO PREVENT DEATH OR SERIOUS INJURY,
ALWAYS KEEP CHILD WITHIN ARM'S REACH!
NEVER LEAVE CHILD UNATTENDED!**

**FAILURE TO FOLLOW THESE WARNINGS AND ASSEMBLY INSTRUCTIONS
COULD RESULT IN SERIOUS INJURY OR DEATH.**

**READ ALL INSTRUCTIONS BEFORE USE OF THE CHANGING TABLE
KEEP THESE INSTRUCTIONS IN A SAFE PLACE FOR FUTURE USE**

ALWAYS SECURE THE CHANGING TABLE TO THE BACK SIDE'S TOP OF THE DRESSER USING THE HARDWARE SUPPLIED (TWO METALLIC BRACKETS AND SIX WOOD SCREWS - 16mm / 5/8") AND A PHILLIPS SCREWDRIVER (NOT SUPPLIED).



SILVA
FURNITURE

20 Corporation Row, Edison, NJ 08817
Phone (718) 478 5100, Fax (718) 478 5117
www.silvafurniture.com

CHANGING TABLE INSTRUCTIONS

WARNING - FALL HAZARD

**TO PREVENT DEATH OR SERIOUS INJURY,
ALWAYS KEEP CHILD WITHIN ARM'S REACH!
NEVER LEAVE CHILD UNATTENDED!**

**FAILURE TO FOLLOW THESE WARNINGS AND ASSEMBLY INSTRUCTIONS
COULD RESULT IN SERIOUS INJURY OR DEATH.**

**READ ALL INSTRUCTIONS BEFORE USE OF THE CHANGING TABLE
KEEP THESE INSTRUCTIONS IN A SAFE PLACE FOR FUTURE USE**

- BEFORE EACH USAGE CHECK THE CHANGING TABLE FOR DAMAGE, LOOSE PARTS OR SHARP EDGES. **DO NOT** USE THE CHANGING TABLE IF THERE ARE ANY LOOSE JOINTS, MISSING OR BROKEN PARTS AND/OR SHARP EDGES. PLEASE CONTACT YOUR LOCAL DISTRIBUTOR OR SILVA FURNITURE FOR REPLACEMENT PARTS AND INSTRUCTIONAL LITERATURE. **DO NOT** SUBSTITUTE PARTS OF ANY KIND. PARENTS SHOULD ENSURE A SAFE ENVIRONMENT FOR THEIR CHILD BY CHECKING THE FURNITURE REGULARLY BEFORE PLACING THE CHILD IN THE PRODUCT.
- WHEN THE CHILD REACHES A MAXIMUM WEIGHT OF 30LBS OR WHEN IS ABLE TO SIT UP OR ROLL OVER, THE CHANGING TABLE SHALL NO LONGER BE USED.
- THE RECOMMENDED DIMENSIONS OF THE CHANGING PAD INTENDED TO BE USED WITH THIS CHANGING TABLE ARE **32" L x 16" W x 1" H**.

- USE ONLY CHANGING PADS THAT MEET THE REQUIREMENTS OF **ASTM F2388**;
- THIS PRODUCT IS NOT INTENDED TO BE USED AS A CHANGING TABLE WITHOUT A CHANGING PAD. USE OF THE PRODUCT WITHOUT THIS MAY RESULT IN DEATH OR SERIOUS INJURY TO YOUR CHILD FROM FALLING. FOLLOW ALL INSTRUCTIONS ON ATTACHING AND USING THE CHANGING TABLE.

CAUTION: YOU MUST PLACE YOUR CHANGING TABLE ONLY OVER A SILVA RECOMMENDED DRESSER OR BABY STATION WHICH HAS A TOP SURFACE BIGGER THAN THE BASE SURFACE OF THE CHANGING TABLE. SET UP THE DRESSER ON A SURFACE WHICH MUST BE LEVEL, STABLE AND STRUCTURALLY SOUND.

WE ASSUME NO RESPONSIBILITY IN CASE OF STRUCTURAL OR OTHERWISE FAILURE CAUSED BY THE POSITIONING OF THE CHANGING TABLE OVER A SMALLER SURFACE OR OVER A NON-SILVA CASE.

- STRINGS CAN CAUSE STRANGULATION! **DO NOT** PLACE ITEMS WITH A STRING AROUND A CHILD'S NECK, SUCH AS HOOD STRINGS OR PACIFIER CORDS;
- **DO NOT** SUSPEND STRINGS OVER A CHANGING TABLE;
- **DO NOT** PLACE CHANGING TABLE NEAR WINDOW WHERE CORDS FROM BLINDS OR DRAPES MAY STRANGLE A CHILD;
- **NEVER** LEAVE A CHILD UNATTENDED ON THE CHANGING TABLE;
- IF REFINISHING, USE A NON-TOXIC FINISH SPECIFIED FOR CHILDREN'S PRODUCTS;
- **NEVER** USE PLASTIC SHIPPING BAGS OR OTHER PLASTIC FILM AS CHANGING PAD COVERS SINCE THEY CAN CAUSE SUFFOCATION;
- TO AVOID HEAD INJURY **DO NOT** ALLOW ANY CHILD TO PLAY UNDERNEATH OPENED DRAWERS/DOORS OR HUTCH SHELVES WHEN PRESENT;
- **ALWAYS** BE ALERT ABOUT CHILD'S SAFETY. BABIES DO THE UNEXPECTED. THEY MAKE NEW MOVEMENTS EVERY DAY. IT TAKES A SECOND FOR A BABY TO BE SERIOUSLY HURT. KEEP THE CHILD IN VIEW WHILE HE IS ON THE CHANGER.

- USE OF A VAPORIZER NEAR FURNITURE WILL CAUSE WOOD TO SWELL AND FINISH TO PEEL;
- **DO NOT** STORE CHANGING TABLE IN AREAS WHERE TEMPERATURES AND CONDITIONS ARE EXTREME, SUCH AS HOT ATTICS OR COLD DAMP BASEMENTS. BOTH OF THESE EXTREME CONDITIONS MAY CAUSE THE WOOD TO CRACK AND GLUE JOINTS TO LOOSEN RESULTING IN STRUCTURAL FAILURE;
- SHOULD IT BECOME DESIRABLE TO REFINISH THIS CHANGING TABLE IN LATER YEARS, THE MANUFACTURER WARNS THAT ANY MATERIAL USED SHOULD BE NON-TOXIC;
- AN OCCASIONAL WAXING, PLUS REGULAR CLEANING WITH MILD SOAP ON A SOFT CLOTH, FOLLOWED BY A CLEAN DAMP CLOTH, THEN A DRY CLOTH, WILL PRESERVE THE ORIGINAL LUSTER AND BEAUTY OF THIS FINE FINISH.