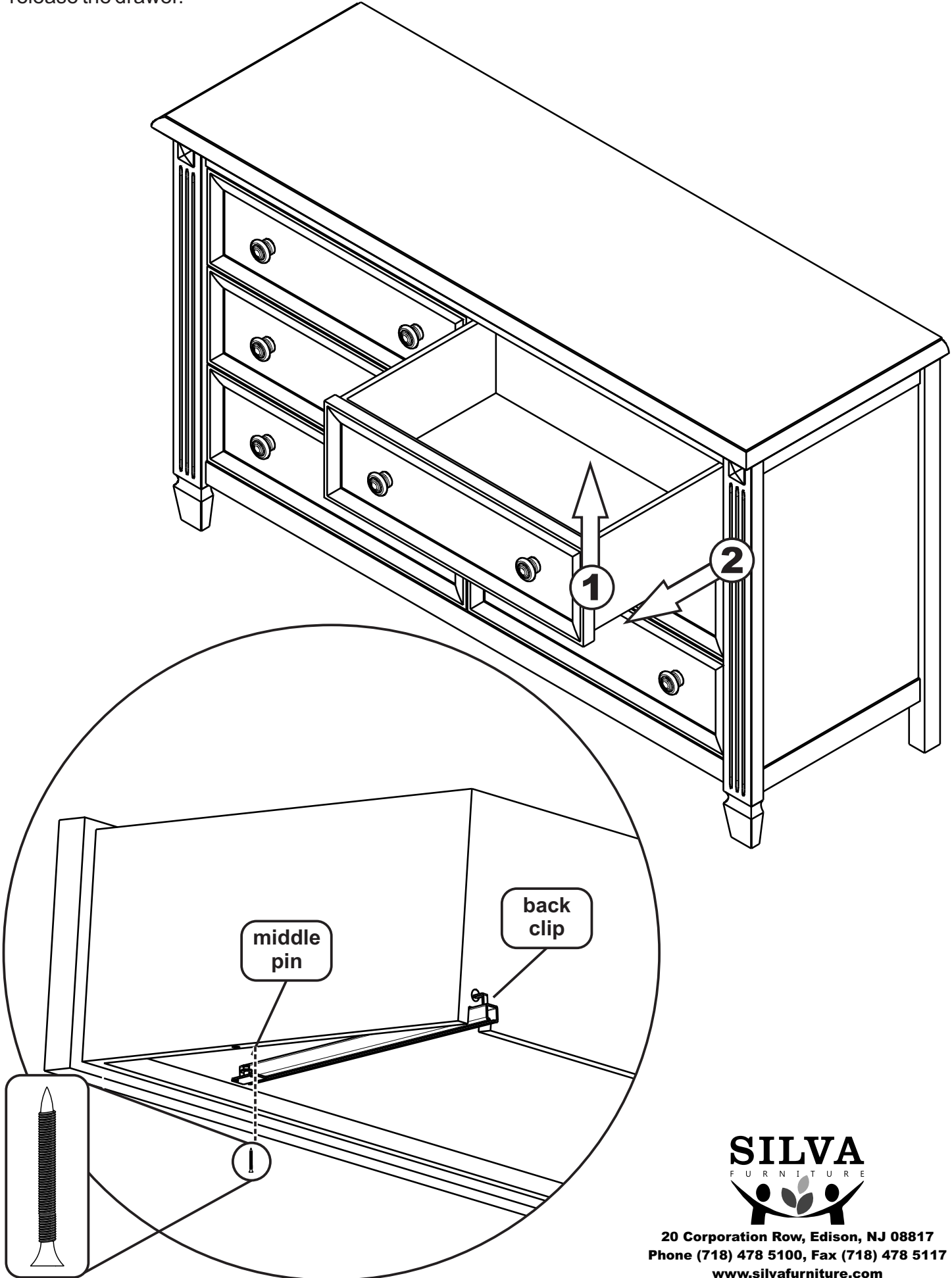


UN-MOUNTING A DRAWER

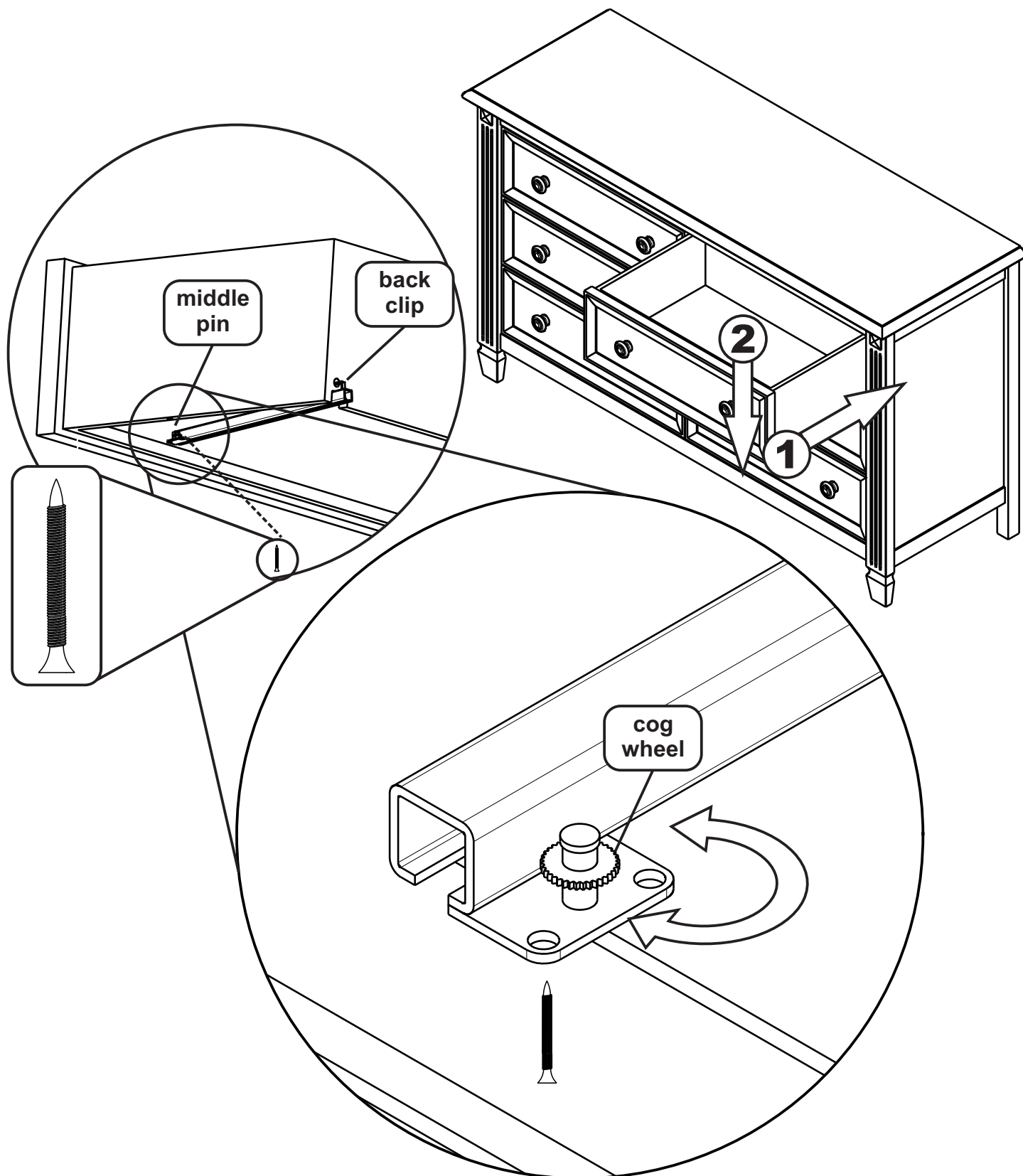
Pull the drawer you want to remove until stop. Remove the wood screws used to secure the drawer box. Then slightly lift it (1) until the middle pins of the rails are released and pull again (2) to completely release the drawer.



20 Corporation Row, Edison, NJ 08817
Phone (718) 478 5100, Fax (718) 478 5117
www.silvafurniture.com

MOUNTING A DRAWER

Completely extract the rails for the drawer you want to mount. Position the drawer (1) so the back clips of the rails will reach the slots located in the back side of the drawer box. Gently push the drawer box down (2) until the middle pins of the rails will reach the holes located in the bottom part of the drawer box. Insert the wood screws used to secure the drawer box then push the drawer until close.



FINE TUNING OF THE DRAWER VERTICAL POSITION

You can adjust the vertical position of the drawer. To do this you must remove the wood screws used to secure the drawer box, rotate the two little cog-wheels located on the middle pins of the rails, underneath the drawer box then re-insert the wood screws to secure the drawer box.